



AIR RIVETER



INSTRUCTION MANUAL

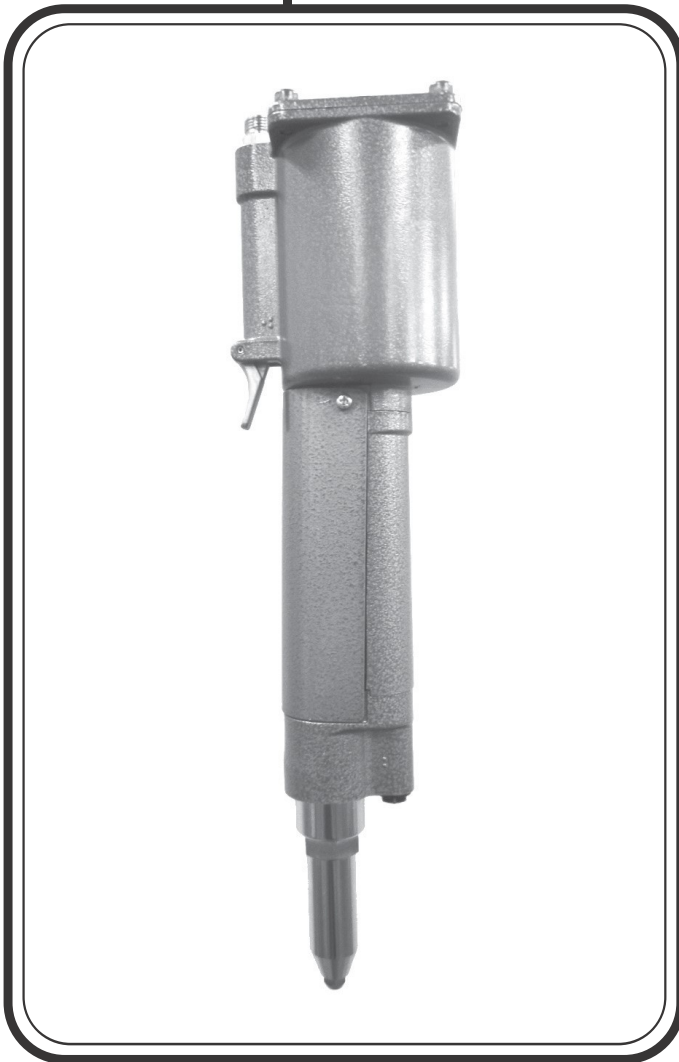
英語 / ENGLISH

BUILT-IN ON-DEMAND
VACUUM SYSTEM

ARV-015MX

CONTENTS

INTRODUCTION.....	1
IMPORTANT SAFETY INSTRUCTIONS.....	2
NOMENCLATURE.....	7
TECHNICAL DATA.....	8
PREPARATION BEFORE USE.....	10
OPERATING THE AIR RIVETER.....	11
MAINTENANCE.....	12
STORAGE.....	17
ORDERING PARTS.....	17
TROUBLESHOOTING.....	18
PARTS TABLE.....	20



Professional model of air riveter to install blind rivets.

- Thank you very much for purchasing “LOBSTER” air riveter. To ensure correct operation, please carefully read this instruction manual and keep it in a safe place for later reference.
- This is Original instructions.

MANUFACTURER
LOBTEX CO.,LTD.
International Marketing&Sales Division

12-8 Shijo-cho, Higashi-Osaka City
Osaka 579-8053, Japan

Telephone: +81(72)981-7466 Telefacs: +81(72)981-9420
URL <https://www.lobtex.co.jp/>

PRINTED IN JAPAN

● INTRODUCTION

Thank you very much for purchasing “LOBSTER” air riveter.

- These are the blind rivet tools which is only used for fixing blind rivets. These tools are not designed for other purposes.
- This instruction manual shows how to use the tools safely, work properly, maintenance and inspection which will make tools more effectively.
- Please check the blind rivets specification and durability on customers side before using it.

1 IMPORTANT NOTICES

- Read this manual carefully before using this tool. Follow instructions in this manual for handling this tool, replacing accessories or replacing parts as needed.
- If you have any questions about this manual, contact the “LOBSTER” dealer where you purchased the tool.
- It is impossible to foresee all potential dangers and describe them in this manual. You must operate this tool paying attention to safety as well as observing the instructions in this manual.
- This manual is translated from Japanese, its original language. It is your own responsibility to achieve a full understanding of the contents of this manual before using the equipment described.
- Lobtex Co., Ltd. has the copyright of this manual. It is prohibited to publish, copy or translate to other language without prior consent.

2 INDEMNIFICATION

- Our warranty does not apply to direct and indirect damages and lost income caused by the misuse, abuse, and unauthorized modification of the tool.
We do not guarantee the strength or quality of blind rivet.
- We do not guarantee any damages and failures caused by any modifications without our written approval.
- We do not guarantee any damages and failures caused by use of parts other than our recommendation.

● IMPORTANT SAFETY INSTRUCTIONS



- ◆ Be sure to read the following Important Safety Instructions and make sure that you understand them thoroughly before using this tool.



- ◆ Always wear protective goggles while using the tool.
The rivets may jump out by accident and cause injuries.



- ◆ This is the safety alert symbol. It is used to alert you to potential personal injury hazards. Obey all safety messages that follow this symbol to avoid possible injury or death.

- ◆ These Important Safety Instructions are divided into **⚠ WARNING** and **⚠ CAUTION**.
The differences between these two levels are described below.

⚠ WARNING: Indicates a potentially hazardous situation which, if ignored, may result in death or serious injury to the operator.

⚠ CAUTION: Indicates a potentially hazardous situation which, if ignored, may result in moderate injury to the operator or physical damage.

Moreover, failure to follow the instructions marked with the **⚠ CAUTION** symbol or cautions without a

⚠ CAUTION symbol which appear in the text of this manual may also have serious results in some cases. Always be sure to observe the instructions given in the Important Safety Instructions.

- ◆ After reading this manual, keep it in a safe place where it is easily accessible to all users.



WARNING

- 1. The air pressure should be kept within the range of 0.5 to 0.6 MPa.**
 - If an air pressure which is greater than this is used, the tool may become damaged, and injury or damage to property may result.
- 2. Never look into the Nosepiece of the tool, and never point the Nosepiece toward other persons.**
 - If the tool is used while the cut mandrels are still inside the tool not being ejected, these mandrels may be ejected from the tool's Nosepiece during use and cause serious injury.
- 3. Make sure to put the Chute Hose when using.**
 - Spent mandrels may come out and cause the injuries.
 - Make sure to put the Chute Hose properly all the way (Nozzle Unit).
If the Chute Hose was not set properly, the hose may fall off and cause injuries.
- 4. Always wear protective goggles while you use the tool.**
 - The rivets may jump out by accident and cause injuries (e.g. blindness).
 - Use a dust mask, safety shoes, hard hat and hearing protector appropriately to prevent accidents and injuries.
- 5. Make sure that the tool and the air source are connected securely.**
 - If the threads of the joints do not match or if the screws are not inserted far enough, the air hose may become disconnected during use and injury may result.
 - Use hose bands to securely connect the air hose joint and air hose. If they are not connected securely enough, the air hose may become disconnected during use and injury may result.
- 6. Turn off the air supply before disconnecting the tool from the air source.**
 - Compressed air may cause the air hose to whip around and injury may result.
- 7. Keep the tool away from children.**
 - Accidents or injury may result.
- 8. If using in elevated locations, use a safety harness, and take care to avoid dropping rivets or the tool itself.**
 - Accidents or injury may result if this practice is not followed.



WARNING

9. Prior to use, check for damage to respective parts, and ensure that all parts are able to operate normally and provide the functions specified. If they are unable to operate normally or provide the functions specified, do not use them, but arrange for a repair by a competent person.
 - If the tool is used while any parts are damaged, injury may result.
 - If the tool is damaged by objects being dropped onto it, the damaged part may break and accident or injury may result.
 - Don't pull and drag the tool by the air hose or Chute Hose. It may trigger some damages on the tool body, breakage of Nozzle Unit or some other defects and lead serious troubles with injuries.
 - When replacing or cleaning parts, observe the instructions in the instruction manual. If you cannot find the relevant instructions in the manual, arrange to have the repair carried out by the supplier you purchased the product from, or by Lobtex.
10. When replacing parts or accessories, follow the steps specified.
11. Wear clothes appropriate for work. Cover long hair with a cap or hair cover. Do not wear loose clothes or accessories including necklaces.
 - Otherwise, your hair, clothes, or accessories may be caught in the tool.
12. Keep the tool away from children. Prevent anyone except for workers from touching an air hose.
 - Accidents or injury may result.
13. Check thoroughly for damage to the tool. If any loose or damage to parts are found, do not use the tool, but arrange for a repair by a competent person.
 - Failure to perform this step may lead to accidents or injuries due to malfunctions.
14. Use specified accessories or replacement parts only.
 - Otherwise, unexpected motion of the tool may be caused, leading to accidents or injuries.
15. Use specified genuine parts only, and only allow persons having technical knowledge and skills to repair the tool.
 - If no such competent person is available, arrange to have a repair carried out by the supplier you purchased the product from or by Lobtex.
16. If the tool is faulty or any abnormal noise is heard while in use, arrange to have a repair carried out by the supplier you purchased the product from or by Lobtex.
 - Continued use of the equipment may cause accidents or injuries.



CAUTION

1. Before starting maintenance or disassembling the unit to replace part, be sure to take off air hose.
 - By unexpected action such like parts jumps out may cause accidents.
2. Tighten the Bleed Plug firmly before use.
 - If the Bleed Plug is loose or coming off during use, oil may squirt out resulting in an accident or personal injury.
3. Do not operate the tool with the Frame Head removed.
 - Items such as fingers may become caught in the mechanism.
4. Do not bring your face close to the air outlet holes.
 - Pressurized air containing fine particles is discharged from the air outlet holes during use. Keep eyes away from this area.
5. When you handle oil or grease, obtain the safety data sheet (SDS) from the supplier, and follow the described instructions.
 - Some types of oil may cause inflammation of your skin. If your skin is in contact with oil, you should immediately clean your skin thoroughly.



CAUTION

6. The parts to be used must be those supplied from Lobtex or recommended by Lobtex.
Select and attach parts applicable to your rivet.
 - Otherwise the unit may not produce maximum performance and may malfunction resulting in an accident or personal injury.
7. Make sure that the workplace is safe, clean and organized.
 - Accidents can easily occur in untidy workplaces.
 - If the cut mandrels are allowed to fall onto the floor, you may slip on them, and accidents or injury may result.
8. Ensure sound footing and do not work in an unnatural posture.
 - You may fall and injure yourself.
9. Keep people who are not involved in work away from the workplace.
 - Accidents or injury may result.
10. Maintain the tool with proper care.
 - Refer to the Instruction Manual for details on replacing parts and attachments, otherwise injury may occur.
11. Keep the handgrip always dry and clean, and avoid adhesion of oil and grease.
 - Otherwise the grip may slip from your hand resulting in falling of the unit.
12. Do not leave the floor littered with cut mandrels.
 - Cut mandrels are dangerous because their ends are sharp.
Stepping on them is also dangerous easily causing a slip and fall accident.
13. Use the tool carefully and concentrate on correct operation at all times.
 - Use the tool with proper care, paying full attention to methods of handling and operation and surrounding conditions. Accidents and injury may result if this practice is not followed.
 - Use common sense at all times, otherwise accidents or injury may result.
 - When you are tired, do not use the tool, otherwise accidents or injury may result.
14. Ask Lobtex to carry out any repair work required.
 - If you find any fault, arrange to have an inspection and a repair.
 - Repair work should only be carried out by a qualified technician. Please contact your nearest “LOBSTER” distributor, representative, or direct to Lobtex Co.,Ltd.,Osaka. If the tool is repaired by someone without the necessary qualifications and experience, the tool may not perform to optimum standards, and accidents or injury may result.
15. Do not modify the tool. Any modification to the equipment impairs the validity of safety devices, leading to a higher risk to operators.
 - This tool conforms to applicable safety standards. Do not modify it.
Otherwise, accidents or injuries caused by abnormal operation may occur.
16. When disposing of the tool or packing materials, observe local laws and codes on waste disposal.
17. The production date of this product is shown brevity code below the tools.(See page 8 and 9)
18. Warning labels include important information and tips on using the tool. If the labels become so dirty or damaged that they cannot be read, order and replace them with new labels.
You can order new labels from Lobtex Co., Ltd. through our dealers.
19. This product is a tool for professional use. Operators who use it for the first time must understand its instruction manual completely before maintaining or using the tool.
 - Wear protective goggles or safety glasses.
 - If the tool is broken, do not operate.



CAUTION

20. This product is an exclusive tool for Blind Rivet fastening two boards by riveting.
We do not design, manufacture or sell intending to other applications.
21. For the maintenance of the main body, for every 30,000 installation of the fastener or in one year.
22. Only qualified and trained operators should install, adjust or use the assembly power tool for non-threaded mechanical fasteners.
23. Slip, trips and falls are major causes of workplace injury. Be aware of slippery surfaces caused by use of the tool and also of trip hazards caused by the air line or hydraulic hose.
24. Proceed with care in unfamiliar surroundings. There can be hidden hazards, such as electricity or other utility lines.
- You may fall down and injury may result.
25. This assembly power tool is not intended for use in potentially explosive atmospheres.
26. This assembly power tool is not insulated against contact with electric power.
27. Ensure that there are no electrical cables, gas pipes, etc., which can cause a hazard if damaged by use of the tool.
28. If you experience numbness, tingling, pain or whitening of the skin in your fingers of hands, stop using the assembly power tool, tell your employer and consult a physician.
29. Compressed air can cause severe injury.
- Be sure to disconnect the tool from the air supply source when it is not in use or before replacing or repairing it.
 - Never direct air at yourself or anyone else.
30. Whipping hoses can cause severe injury.
- Always make sure there are no damages on hoses and no loose fittings.
31. Preventative maintenance should be carried out, after a specified time of operation, a specified number of cycles/operations or a stated number of times per year.
32. Store the tool appropriately when not in use.
- Store it in a dry and high place where it can be locked away or is out of the reach of children. Otherwise, it may cause injury.
33. Do not use the tool incorrectly.
- Use the equipment according to the capacity of the tool and in accordance with its design specification. Use of the tool incorrectly may lead to accidents.
34. Do not handle any air hose roughly.
- Keep the air hose away from heat, and sharp edges.
 - Pay close attention to prevent the air hose from being stepped on, hooked, or damaged by the use of excessive force.
35. Check for damage to respective parts prior to use and arrange for a repair by a competent person if any damage is found.
- Check thoroughly for damage to respective parts prior to use and ensure that the tool operates normally and the specified functions can be provided.
 - When replacing or cleaning parts, observe the instructions in the instruction manual. If you cannot find them in the manual, arrange to have a repair carried out by the supplier you purchased the product from, or by Lobtex.
 - If there is no power to the equipment even though the power switch is turned on, or the tool cannot be started when the start button is pressed, do not use the tool. Otherwise, it may operate abnormally, causing injuries.

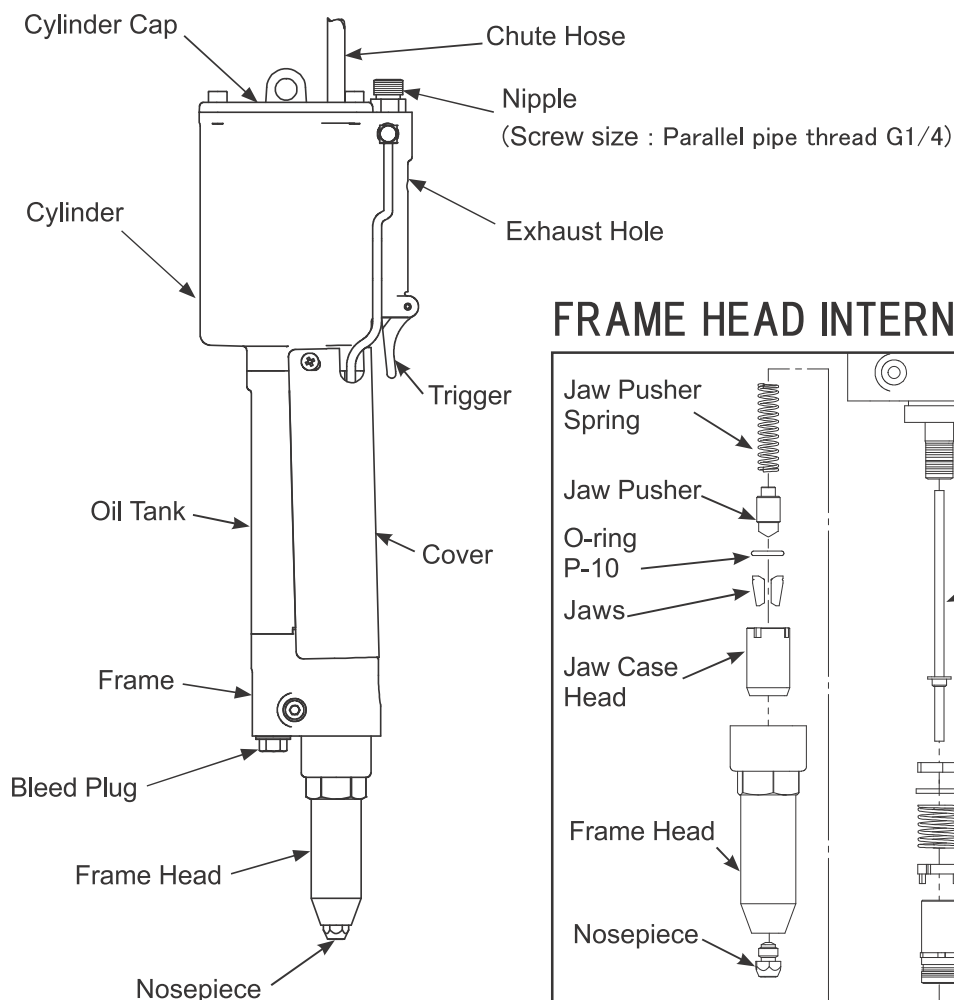


CAUTION

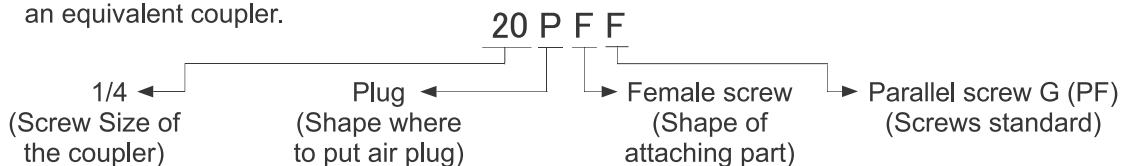
36. If you find rust, or experience unusual odor, heat, or other abnormalities when using the tool for the first time after purchase, do not use it, but contact the supplier you purchased the product from, or contact Lobtex.
37. Do not put fingers to the moving area of the tool.
 - Otherwise, your fingers may be caught, causing injury.
38. Using the tool repeatedly may cause pains in your hands, shoulders, neck, and other locations.
 - To avoid pain and fatigue, assume an appropriate and natural posture, and change your posture as necessary.
 - If you suffer from continuous discomfort, pain, numbness, palpitations, stiffness, or hot flashes, do not ignore it. Consult with your employer and health manager.

NOMENCLATURE

英語 / ENGLISH



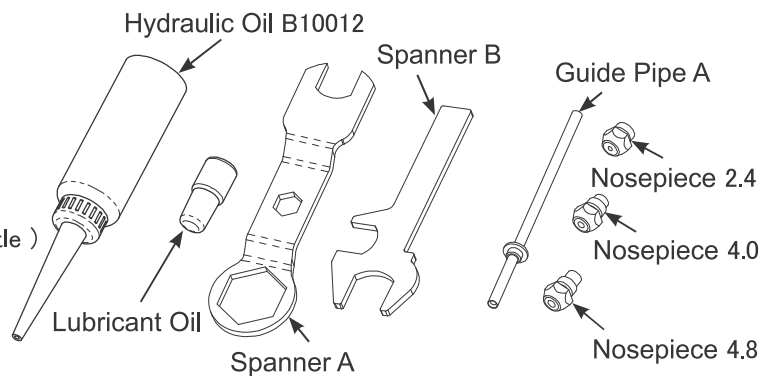
* If a coupler is needed for the air connection, use the "20PFF" made by Nitto Kohki, or an equivalent coupler.



ACCESSORIES

Check at the time of purchase.

- Nosepiece 2.4, 4.0, 4.8 1 ea.
- Guide Pipe A
- Spanner A, B 1 ea.
- "LOBSTER" Hydraulic Oil B10012
- "LOBSTER" Lubricant Oil (in a bottle)

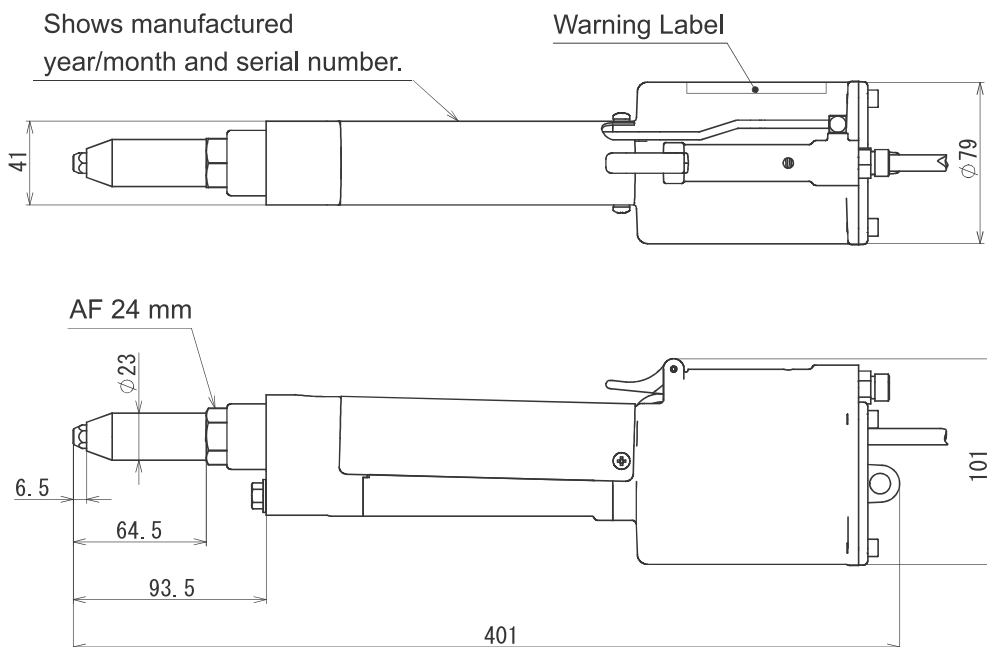


● TECHNICAL DATA

◇ Product specification

Model No.	ARV-015MX	
Weight kg	1.8	
Operating air pressure MPa	0.5 ~ 0.6	
Dimensions (Length × Height × Width) mm	401 × 101 × 79	
Air consumption per minute at 0.5MPa L/min * ①	100	
Tool stroke mm	16	
Traction power at 0.6MPa kN	8	
Applicable rivets (Rivet diameters) φ mm	2.4, 3.2, 4.0, 4.8	
Operation-guaranteed environment	Temperature °C	5°C to 40°C
	Relative humidity	80% RH max. (No condensation)
Storage temperature range °C	-5 ~ 55	
Noise: dB * ②	78.3	
Vibration at 0.6MPa Emission value	Less than or equal to 2.5 m/sec ²	
Air intake (Size of screw)	Parallel pipe thread G1/4 (PF1/4)	

- * Product specifications and design are subject to change for improvement without notice.
- * Weight and dimensions given are standard values.
- * The warning label is located on the side of the main unit Cylinder Cup.
- * The production date of this product is indicated on the side of the cover by a code and four-digit numbers.
See “ ◇ How to read the year and month of manufacture ” of page 9 to check how to read brevity code.
- * ① Under the condition of 30 pcs./min.
- * ② Measured at equivalent noise measurement level.



◇ How to read the year and month of manufacture

A year/month of manufacture	1	2	3	4	5	6	7	8	9	10	11	12
An English character	A	B	M	N	K	W	T	Y	U	O	L	Z

Example

year: 2017 month: 1 → TA ○○○○
 ↓ ↓ ↓
 T A (Serial No.)

◇ Air consumption calculation method

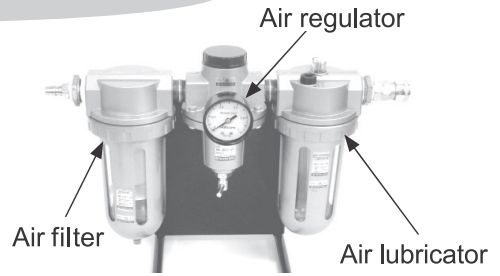
Use the following calculation method to obtain the required air consumption, and select the compressor accordingly.

Required air consumption = Air consumption per minute
 (Refer to "Product specificant" on page 8)

Make sure that this corresponds to the compressor discharge capacity (per minute).

● PREPARATION BEFORE USE

- 1** Set up the compressor, and be sure to install an air filter, air regulator and air lubricator (3-device set) between the compressor and the tool.



ATTENTION:

If moisture enters inside of the unit, it may freeze in cold temperature or accelerate degradation of the unit. To avoid this condition, use an air dryer as necessary in addition to an air filter, regulator and an air lubricator (3-device set).

- 2** Use the air regulator to adjust the operating air pressure to 0.5 ~ 0.6MPa.

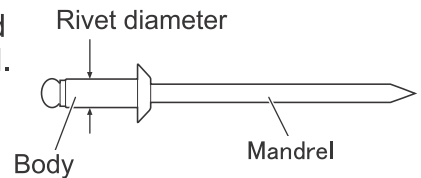
⚠ WARNING 1 (P.2)





ATTENTION:

- Excessively high air pressure will cause damage to certain parts, while excessively low pressure will cause failure in rivet feeding.
- Adjust the air pressure while the equipment is being operated.

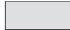
- 3** Replace the nosepiece and guide tube as indicated below to conform to the size of the rivet being used. (Refer to "Jaw maintenance" on page 12 for details on replacing the guide tube.)

(The rivet size indicates the diameter of the rivet.)



Rivet Dia.	Nosepiece	Guide pipe
2.4 mm (3/32")	2.4 	Guide pipe (Yellow)
3.2 mm (1/8")	3.2 	Guide pipe (White)
4.0 mm (5/32")	4.0 	
4.8 mm (3/16")	4.8 	

ATTENTION:

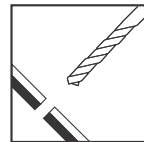
-  Shaded areas indicate parts which are installed in the tool as standard accessories.
- Conform the size to be used, and replace the Nosepiece with the corresponding one. If you use the Nosepiece improperly, cut mandrels may not be ejected normally after fixing and may clog inside. That may also badly affect finishing of rivets. To avoid that, be sure to use an appropriate Nosepiece.
- When changing Nosepiece use Spanner A. (Refer to "Replacement of the Nosepiece" on page 13)
- Applicable rivet size is marked on the hexagonal part of Nosepiece.
- When using 2.4 mm (3/32") rivet, change to Guide Pipe A. (Refer to "Jaw maintenance" on page 12)

● OPERATING THE AIR RIVETER

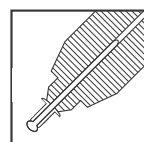
1 Select a suitable size of rivet for the workpiece to be riveted.

2 Replace the Nosepiece with one which matches the size of rivet to be used.
(Refer to “PREPARATION BEFORE USE” on Page 10)

3 Drill a hole of appropriate size (0.1 to 0.2 mm larger than the diameter of the rivet) into the workpiece.



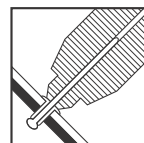
4 After checking Chute Hose is set properly, insert the rivet to the tip of the riveter.
(The vacuum system will work when the air hose gets connected to riveter.)



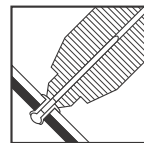
ATTENTION:

- Some rivets have mandrels with sharp ends. Be careful not to injure your fingers on these ends.
- If there is no space at the end of Chute Hose, the rivet cannot be sucked and ejected. In order to avoid such situation, secure enough space which shall be larger than the spent mandrels.

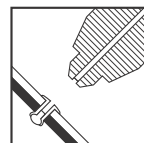
5 While rivets are insert to the riveter, put the rivet body to the hole.



6 Gently press the Nosepiece of the air riveter against the workpiece. After checking that there is no gap between the Nosepiece and the workpiece, pull the Trigger.



7 The rivet will be installed into the workpiece.



8 When the trigger is released, the rivet mandrel is cut off and ejected through the chute hose. **⚠ WARNING 3 (P.2)**

ATTENTION:

- Make sure that the cut mandrel has been completely ejected before proceeding to the next rivet.
- If the mandrel gets stuck inside the Guide Pipe, eject pipe line or Chute Hose line the air may come out from Nosepiece and tool may become unusable.

< Operating temperature > The ambient temperature for working is within the range of 5°C to 40°C.

● MAINTENANCE

After long periods of use, debris from mandrels and other foreign materials tend to build-up in various parts of the tool, and the hydraulic oil level also drops, both of which can lead to operating problems. The tool should be cleaned periodically.

1 Jaw maintenance

Also refer to this section when replacing parts.

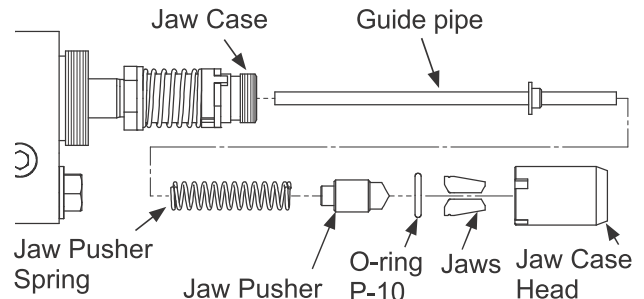
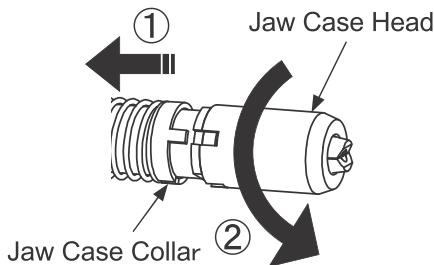
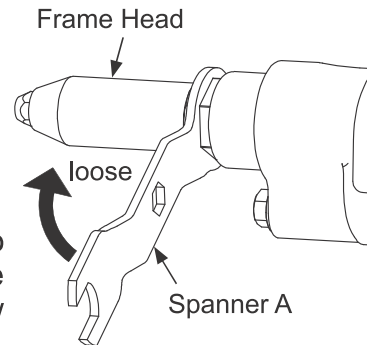
- ◎ With debris build-up, the jaws will not move smoothly and normal operation will not be possible.
- ◎ The jaws should be cleaned on average once every 3,000 riveting operations.
 - 3,000 is rough standard, this may change by usage environment.

DISASSEMBLY

1 Turn off the air supply. **⚠ CAUTION 1 (P.3)**

2 Remove frame head by using Spanner A. **⚠ CAUTION 3 (P.3)**

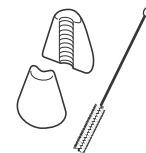
3 Pull backwards the Jaw Case Collar to loosen (①) and remove the Jaw Case Head (②), and then remove the Jaw Pusher Spring, Jaw Pusher and Jaws. When changing the Guide Pipe, take out the Guide Pipe as well.



CLEANING

4 Use a brush or similar to clean all parts.

- ◎ Make sure to clean the Jaws and inner side of the Frame Head since it is the area where dust appears.



RE-ASSEMBLY

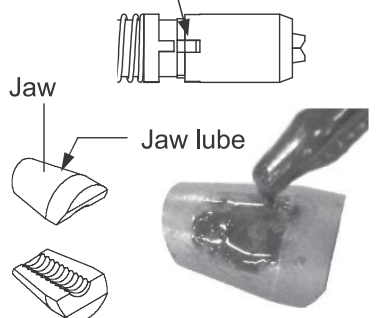
5 Reassemble by following the disassembly procedure in reverse. Tighten the Jaw Case Head fully, and then turn it back so that the notch is aligned with the tab on the Jaw Case Collar, and move the collar into place.

- ❑ Apply the accompanying Jaw Lube or optional Lobster Jaw Lube JO50. The lubricant oil should be applied on average once every 1,000 riveting operations.

NOTE:

- The jaws are consumable parts and they should be replaced periodically.

Pull down Jaw Case Collar and set to joint part of Jaw Case Head

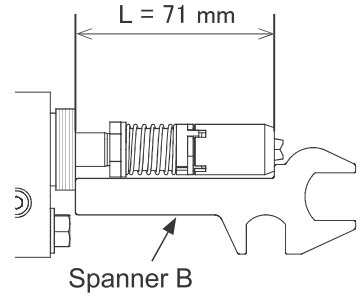


RE-ASSEMBLY

6 Use a Spanner A or similar tool to install the Frame Head securely.

NOTE:

- When reassemble, be sure to apply a lubricant such as grease to all moving and sliding parts.
- Be careful not to leave out any parts, and tighten all connections securely.
- The Jaw Case and Jaw Case Lock Nut do not need to be removed during maintenance. If they are removed by mistake, replace them so that the distance matches those shown in the illustration at right by using a spanner or similar tool and the Spanner B.



2 Replacement of the Nosepiece

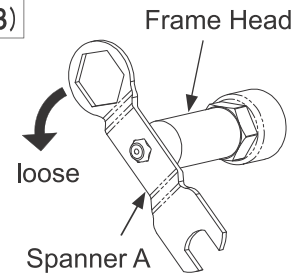
- ◎ If the Nosepiece is damaged, replace it with a new one.
- ◎ If you change the rivet size, replace with an applicable Nosepiece.

DISASSEMBLY

1 Turn off air supply.

⚠ CAUTION 1 (P.3)

2 After taking off Frame Head, take off Nosepiece from the Frame Head by using Spanner A.



3 Put the Nosepiece which matches the using rivet and put the Frame Head tightly.

NOTE:

- Applicable rivet size is marked on the hexagon part of Nosepiece.
- Please check periodically whether there is any slack of a nosepiece during work.
- If the Nosepiece are loose, it may affect the performance of riveting and may lead to breakage of spare parts.

Shows rivet size



3

Cleaning and oil supply of the Air Cylinder

- ⊙ If foreign materials build-up in the Air Cylinder, it will not operate smoothly and service life will be reduced.
- ⊙ Be sure to remove the Frame Head when adding hydraulic oil. And then, check the setting position of Jaw Case Head.
Excess oil pushes the Oil Piston downward too much, then the damage of the O-ring and the B-ring may result.
- ⊙ When hydraulic oil became less and stroke became insufficient, follow the below instruction and change the hydraulic oil which comes with tool or purchase Lobster Hydraulic Oil B10012. If stroke becomes insufficient soon after supplying hydraulic oil, the case may be abrasion of seal. In that case, please ask it for repair.

DISASSEMBLY

1 Turn off the air supply. ⚠ CAUTION 1 (P.3)

2 Use a Spanner A or similar tool to remove the Frame Head. (Refer to page 12)
⚠ CAUTION 3 (P.3)

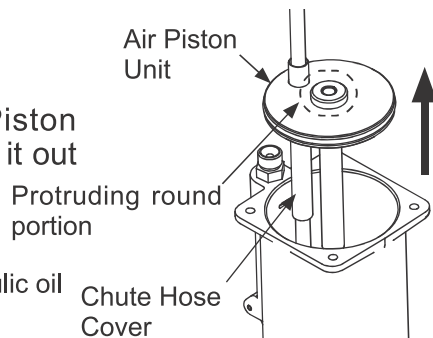
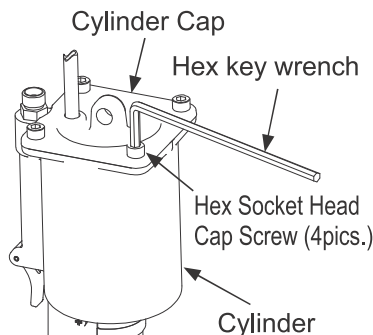
3 Take off Hex Socket Head Cap Screw by using Hex key wrench.

4 Take off the Cylinder Cap upwards.

5 Hold the projection portion of Air Piston Unit by pliers or similar tools and take it out upwards.

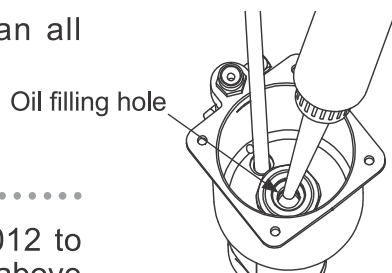
NOTE:

- Hold the Air Cylinder vertical, as the hydraulic oil will spill out if it is tipped sideways.



CLEANING

6 Use a rag, brush or similar to clean all parts.



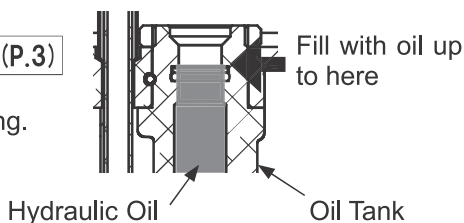
FILLING OIL

7 Fill in the Lobster hydraulic oil B10012 to the Oil filling hole until it slightly goes above O-ring, B-rings.

NOTE:

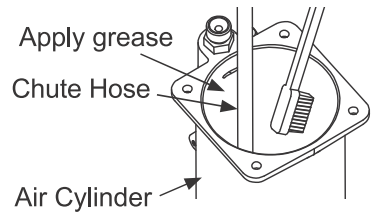
- Use the Lobster hydraulic oil for the oil filling.

⚠ CAUTION 5 (P.3)



8

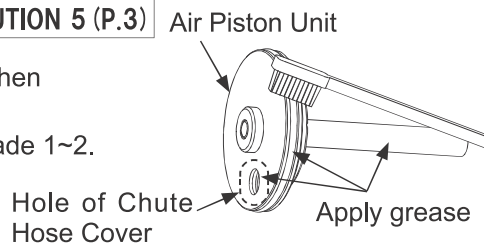
Apply grease inside the Air Cylinder, O-ring and rod of Air Cylinder.
Put in the Chute Hose Cover to the Chute Hose Cover hole of Air Piston Unit and insert Air Piston Unit to Air Cylinder.



CAUTION 5 (P.3)

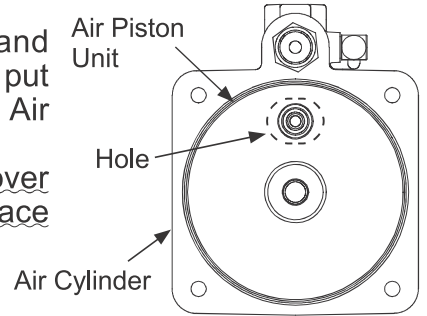
NOTE:

- Apply grease to the sliding portion when assembling the tool.
- Recommended grease is Grease grade 1~2.



9

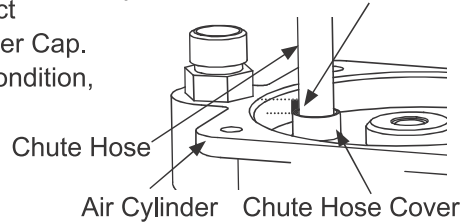
Set the Chute Hose hole of Cylinder and hole of Air Piston in correct position and put Chute Hose with Chute Hose Cover to Air Piston Unit.
At this time, check that Chute Hose Cover is insert about 2mm below than edge face of Cylinder.



NOTE:

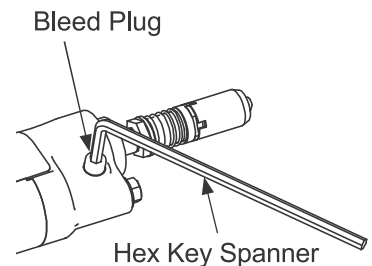
- The position of Chute hose cover must be set in correct position.
If the Chute hose cover is not set in correct position, it will be difficult to put the Cylinder Cap. Also, if putting the Cylinder Cap in such condition, it may damage the Chute Hose Cover.

About 2mm from edge fact of Cylinder and Chute Hose Cover.



10

After reassembling all of the part by the opposite procedure to disassemble, use Hex Key Spanner and loosen the Bleed Plug and bleed out the extra Hydraulic Oil before putting the Frame Head to the tool.
After checking oil is not bleeding, tighten the bleed plug.
Make sure that distance of the Jaw Case Head is 71mm.
(See P.12 Jaw Maintenance)



CAUTION 2 (P.3)

NOTE:

- Be careful when loosening the bleed plug, as the hydraulic oil may spill out rapidly.
- The work should be done by necessity after feeding hydraulic oil. Otherwise there may be detrimental to the tool in loading rivet or breakage of Frame.

11

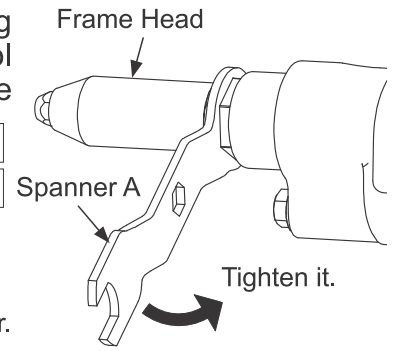
After install the Frame Head securely using a Spanner A, wipe any oil outside the tool and clean up any spilt oil before using the tool.

⚠ CAUTION 5 (P.3)

⚠ CAUTION11 (P.4)

NOTE:

- During disassembly/assembly, be careful to prevent cutting dusts of metal and other objects from getting into the hydraulic Oil and Air Cylinder.



● STORAGE

- Store in a place which is well-ventilated and free from excessive dust and humidity, and where there is no danger that the tool will fall.
- If not using the tool for an extended period of time, carry out a maintenance inspection before storing it away (Refer to “MAINTENANCE” on pages 12 to 16).
- To increase the working life of the tool, it is recommended that you give it periodic overhauls. Contact the place of purchase or your nearest “LOBSTER” dealer for any overhauls and repair work required (A charge will be made for this service.).

● ORDERING PARTS

Specify the model, part name, code number and the quantities of parts as shown below and place an order with the “LOBSTER” dealer where you purchased the tool.

Model	Part name	Code No.	Qty.
ARV015MX	Ultra Jaws (pair) 'M'	10281	1
ARV015MX	Frame Head	10105	1

* When parts are modified for improvement, the older parts are kept in stock for a period of five years.

● TROUBLESHOOTING

If a problem occurs, check the following. If the problem persists after checking the items in the table below, contact your nearest "LOBSTER" dealer or contact Lobtex.

In making any inquiries about this product or requests for repair work, first check the troubleshooting below and then make a note of the model number, the usage conditions and the trouble symptoms in as much detail as possible. If you can provide this kind of information, it may reduce the amount of time required for delivery or repairs to be completed.

Trouble	Cause	Countermeasure
The rivet does not go in, or the cut mandrel does not come out after riveting.	1 Wrong type of Nosepiece or Guide Pipe.	Replace with the correct part which matches the rivet size. (Refer to page 12 and 13)
	2 Nosepiece or frame head is loose.	Use a spanner or similar to tighten securely. (Refer to page 12 and 13)
	3 Jaw Case is incorrectly assembled.	Check the procedure to assemble Jaw Case. (Refer to page 12)
	4 Contact surfaces between the jaws and the jaw case head are not smooth.	Clean the jaws and inside the jaw case head, and apply "LOBSTER" brand jaw lube to the backs of the jaws. (Refer to page 12)
	5 Inside of the Frame Head is dirty so that the Jaws cannot open properly.	Clean inside the Frame Head and the Jaws. (Refer to page 12)
	6 Tip of the Nosepiece got broken and Jaw does not open properly.	Replace the Nosepiece. (Refer to page 13)
	7 Inside of the cylinder is dirty so that the air piston cannot return to its proper position.	Clean inside the cylinder, and apply grease inside the cylinder and to the o-ring. (Refer to page 15)
	8 Oil filling was not performed correctly, so that there is excess hydraulic oil inside the tool.	Take off Frame Head and loosen the Bleed Plug and take out the extra oil. (Refer to page 15)
	9 The Jaw Pusher or the guide pipe is clogged with mandrels.	Take out the mandrel inside the Jaw Case or Guide Pipe. (Refer to page 12)
The trigger does not work or number of pulling the trigger has increased.	1 The rivet length is not correct for the workpiece thickness.	Use rivets which match the workpiece thickness.
	2 Compressor air pressure is incorrect.	Check the air pressure.
	3 Jaw Case is incorrectly assembled. (Setting position is incorrect.)	Check the procedure to assemble Jaw Case. (Refer to page 12 and 13)
	4 Jaws are worn.	Replace the jaws. (Refer to page 12)
	5 Insufficient hydraulic oil, causing a shorter stroke.	Add hydraulic oil.(After adding the hydraulic oil, loosen the bleed plug and let excessive hydraulic oil out.) (Refer to page 15)
	6 Not correct rivet or Nosepiece size are used.	Check the rivet size and change the parts which are suitable for rivet size. (Refer to page 12 and 13)
	7 Contact surfaces between the jaws and the jaw case head are not smooth.	Clean the jaws and inside the jaw case head, and apply "LOBSTER" brand jaw lube to the backs of the jaws. (Refer to page 12)

Trouble		Cause	Countermeasure
Air Piston does not operate, or returns very slowly, or operations is not smooth.	1	Inside of the cylinder is dirty so that the air piston cannot return to its proper position.	Clean inside the cylinder, and apply grease inside the cylinder and to the O-ring. (Refer to page 15)
	2	Insufficient and expresseure of supplied air.	Adjust the air pressure. (Refer to page 10)
The suction power is weak and the cut mandrels cannot be drawn out.	1	The air outlet is blocked. (e.g. there is an obstacle at the end of the Chute Hose [mandrel outlet].)	Adequate space should be left at the end of the Chute Hose so that mandrels can exit.
	2	The guide pipe is clogged with mandrels.	Take out the Guide Pipe, and remove the clogged mandrels. (Refer to page 12)
	3	Insufficient and expresseure of supplied air.	Adjust the air pressure. (Refer to page 10)
	4	Suction power lowered due to dirt in the Nozzle.	Contact your nearest Lobster distributor.

◆ **Caution when using stainless rivets.**

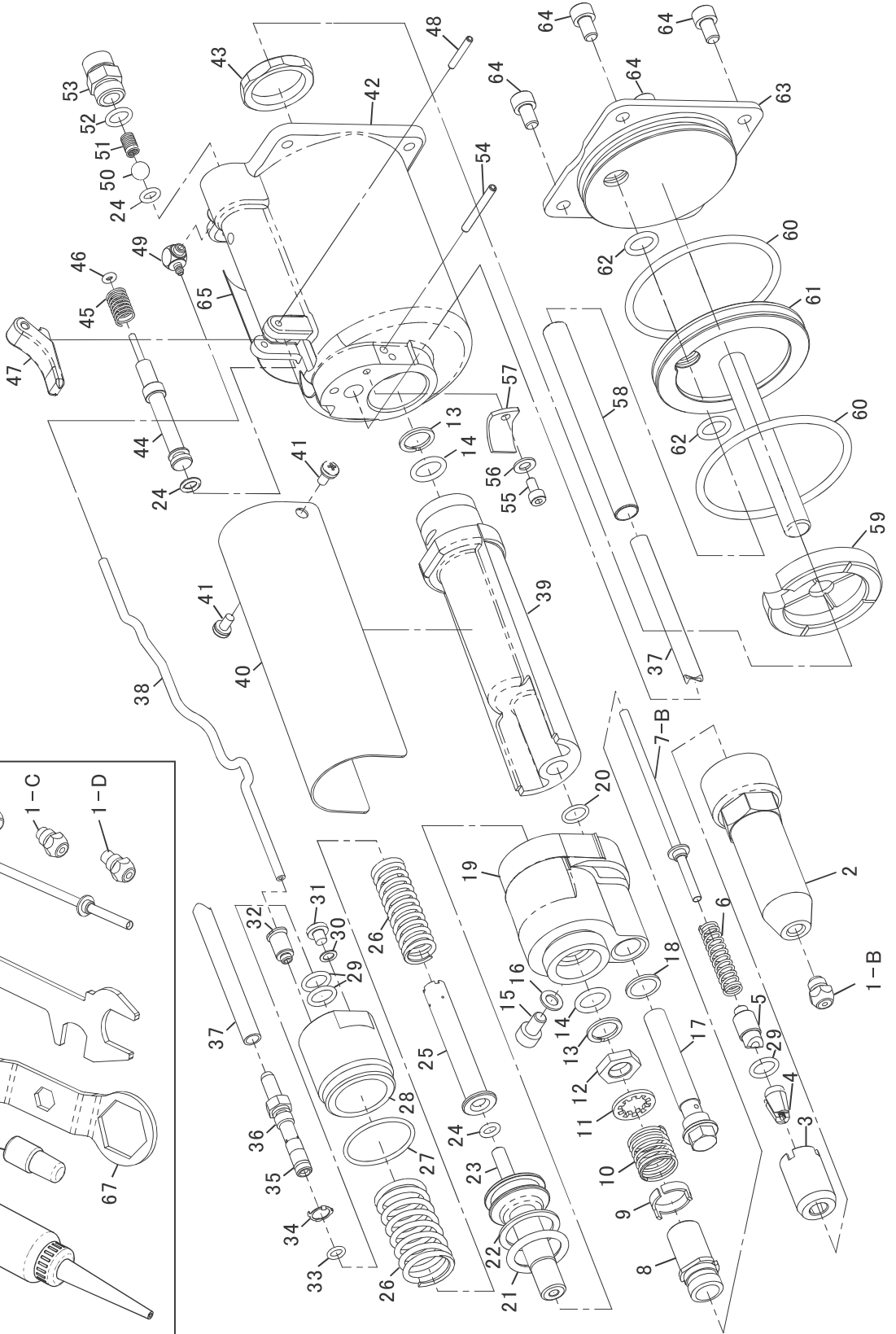
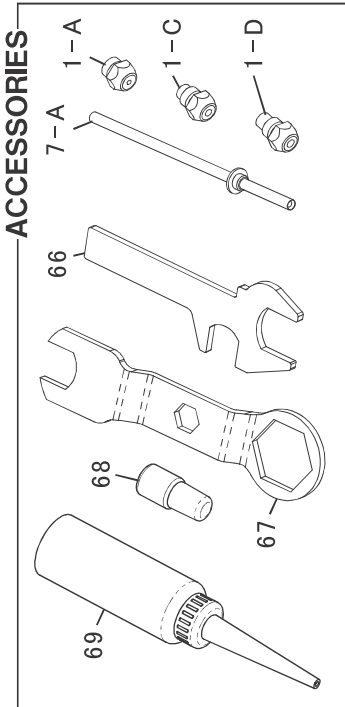
When using stainless rivets, the Jaws, Jaw pusher and Jaw pusher spring will need early replacement. Please replace the spare parts for adequate riveting.

◆ **Caution of using hydraulic oil.**

Use only clean hydraulic oil, as the viscosity of the oil used will affect tool performance. "LOBSTER" brand Hydraulic Oil is supplied in a plastic filler bottle with the tool, and can also be obtained from your "LOBSTER" dealer or agent in your town. If this is not possible, a good quality mineral oil with the following properties should also be used.

Viscosity ISO	:VG46	RECOMMENDED OILS are:
Viscosity Index	:113	Shell Tellus No.46
Viscosity at 40°C	:46 c.s.t.	Esso Teresso No.46
Viscosity at 100°C	:7.06 c.s.t.	Mobil D.T.E. 25 Oil(Medium)
Flash Point	:228	

● PARTS TABLE



Index No.	Part name	Code No.	Material	Index No.	Part name	Code No.	Material
1-A	Nosepiece 2.4 (3/32)	10027	Steel	35	O-ring S-5	10276	Rubber
1-B	Nosepiece 3.2 (1/8)	10028	Steel	36	Nozzle Unit	14324	⑤
1-C	Nosepiece 4.0 (5/32)	10029	Steel	37	Chute Hose	10381	Plastic
1-D	Nosepiece 4.8 (3/16)	10030	Steel	38	Urethane Tube 200	64955	Plastic
2	Frame Head	10105	Steel	39	Oil Tank	65730	②
③	Jaw Case Head	10280	Steel	40	Cover	10380	Steel
④	Ultra Jaw (Medium)	10281	Steel	41	Cross Recessed Pan Head Screw with SW M4×8	12945	Steel
⑤	Jaw Pusher	10132	Steel	42	Cylinder	65676	Aluminum
⑥	Jaw Pusher Spring	10133	Steel	43	Frame Lock Nut	65666	Steel
7-A	Guide Pipe A	66043	Brass	44	Valve Pusher	10345	Brass
7-B	Guide Pipe B	14234	①	45	Valve Pusher Spring	10246	Steel
⑧	Jaw Case	10279	Steel	46	O-ring P-3	10333	Rubber
9	Jaw Case Collar	10286	Steel	47	Trigger	10376	Aluminum
10	Collar Spring	10287	Steel	48	Spring Pin 3×20	10251	Steel
11	Lock Washer	10148	Steel	49	Barb Elbow for Soft Tube	63226	④
12	Jaw Case Lock Nut	10113	Steel	50	Valve	10247	Steel
13	B-ring P-12	10129	Plastic	51	Valve Spring	10248	Steel
14	O-ring P-12	10128	Rubber	52	O-ring P-9	10219	Rubber
15	Bleed Plug(Hexagon Socket Head Cap Screw)	10368	Steel	53	Nipple	14484	Brass
16	Sealing Washer	63209	Plastic	54	Spring Pin 3.5×30	66139	Steel
17	Connecting Bolt	65668	Steel	55	Hexagon Socket Head Cap Screw M4×8	20918	Steel
18	Packing 12M	10364	Plastic	56	Washer M5	14642	Steel
19	Frame	65677	②	57	Urethane Mandrel Stopper	65670	Plastic
20	O-ring S-10	10151	Rubber	58	Chute Hose Cover	65681	Stainless
21	O-ring P-22A	10130	Rubber	59	Cushion Rubber	65667	Rubber
22	B-ring P-22A	10131	Plastic	60	O-ring 0650G	65669	Rubber
23	Oil Piston	10241	Steel	61	Air Piston	65988	⑥
24	O-ring P-6	10150	Rubber	62	O-ring P-11	23663	Rubber
25	Adapter	10377	Brass	63	Cylinder Cap	65678	Aluminum
26	Return Spring (DB)	66004	Steel	64	Hexagon Socket Head Cap Screw M6×10	10368	Steel
27	O-ring S-26	10153	Rubber	65	Warning Label	61075	⑦
28	Frame Cap	65665	Aluminum	66	Spanner B	10142	Steel
29	O-ring P-10	10274	Rubber	67	Spanner A	10141	Steel
30	Packing M5	65673	③	⑥⑧	"LOBSTER" Lubricant Oil	64088	---
31	Cross Recessed Pan Head Screw M5×5	66135	Steel	⑥⑨	"LOBSTER" Hydraulic Oil	10012	---
32	One Touch Straight Joint	43738	④	---	---	---	---
33	O-ring S-6	10220	Rubber	---	---	---	---
34	Nozzle Washer	10370	Stainless	---	---	---	---

Unit parts materials

- ① Stainless, Brass ② Aluminum, Rubber, Plastic ③ Stainless, Rubber
 ④ Stainless, Plastic, Brass, Rubber ⑤ Brass, Rubber ⑥ Aluminum, Rubber ⑦ Paper, Plastic

- ◎ Parts with circled Index No. are consumable parts. They should be replaced periodically.
 ◎ Part No.19 (Frame) includes part No.13 (B-ring P-12) 1pcs. and part No.14 (O-ring P-12) 1pcs.
 ◎ Part No.26 (Return Spring(U)) is combination of 2 different springs.
 ◎ Part No.36 (Nozzle Unit) includes part No.33 (O-ring S-6) 1pcs. and part No.35 (O-ring S-5) 1pcs.
 ◎ Part No.39 (Oil Tank) includes part No.13 (B-ring P-12) 1pcs. and part No.14 (O-ring P-12) 1pcs.
 ◎ Part No.61 (Air Piston) includes part No.62 (O-ring P-11) 1pcs.

WARRANTY & SERVICE

LOBSTER[®] WARRANTS THAT GOODS COVERED BY THIS MANUAL WILL CONFORM TO APPLICABLE SPECIFICATIONS AND DRAWINGS AND THAT SUCH GOODS WILL BE MANUFACTURED AND INSPECTED ACCORDING TO GENERALLY ACCEPTED PRACTICES OF COMPANIES MANUFACTURING INDUSTRIAL TOOLS. THERE ARE NO WARRANTIES WHICH EXTEND BEYOND THE FOREGOING.

THE LIABILITY OF LOBSTER[®] ON PARTS FOUND TO BE DEFECTIVE IS LIMITED TO RE-WORK OR THE REPLACEMENT OF SUCH GOODS AND IN NO CASE TO EXCEED THE INVOICE VALUE OF THE SAID GOODS. UNDER NO CIRCUMSTANCES WILL LOBSTER[®] BE LIABLE FOR DAMAGES OR COSTS INCURRED BY THE BUYER OR SUBSEQUENT USER IN REPAIRING OR REPLACING DEFECTIVE GOODS.

ROUTINE MAINTENANCE AND REPAIR OF LOBSTER[®] RIVET TOOLS CAN BE PERFORMED BY AN AVERAGE MECHANIC.

HOWEVER, IF YOU HAVE A LOBSTER[®] RIVET TOOL THAT IS IN NEED OF MAJOR REPAIR WE RECOMMEND THAT IT BE SENT DIRECTLY TO US POSTAGE PAID FOR SERVICE AT A REASONABLE CHARGES.

MANUFACTURER

LOBTEX CO.,LTD.

OSAKA, JAPAN

MEMO

.....

.....

.....

.....

.....

.....

.....

.....

.....

.....

.....

.....

.....

.....

.....

.....

.....

.....

.....

.....

.....

.....

.....

.....

.....

Revision history of instruction manual Air Riveter ARV-015MX

Date of first edition: January, 2017
Date of second edition: April, 2019
Date of third edition: May, 2021